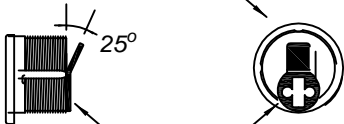


SLIDING CLOSURE INTERMEDIATE LOCKING POST with CYLINDER

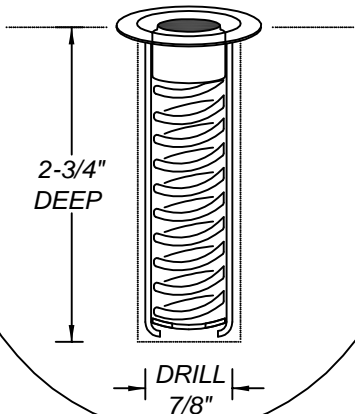
LOCK CYLINDER REQUIREMENT

STANDARD 5, 6 OR 7 PIN
MORTISE CYLINDER



"YALE" TYPE CAM
ANGLED APPROX.
25° (AS SHOWN)

FLOOR SOCKET INSTALLATION



[LOCKED]

SLIDE KNOB
DOWN TO ENGAGE
BOTTOM
LOCK BOLT
(NO KEY REQ'D.)

[UNLOCKED]

TURNING KEY
UNLATCHES
AUTO-RETRACTING
BOTTOM LOCK BOLT

DUST FREE
FLOOR SOCKET

