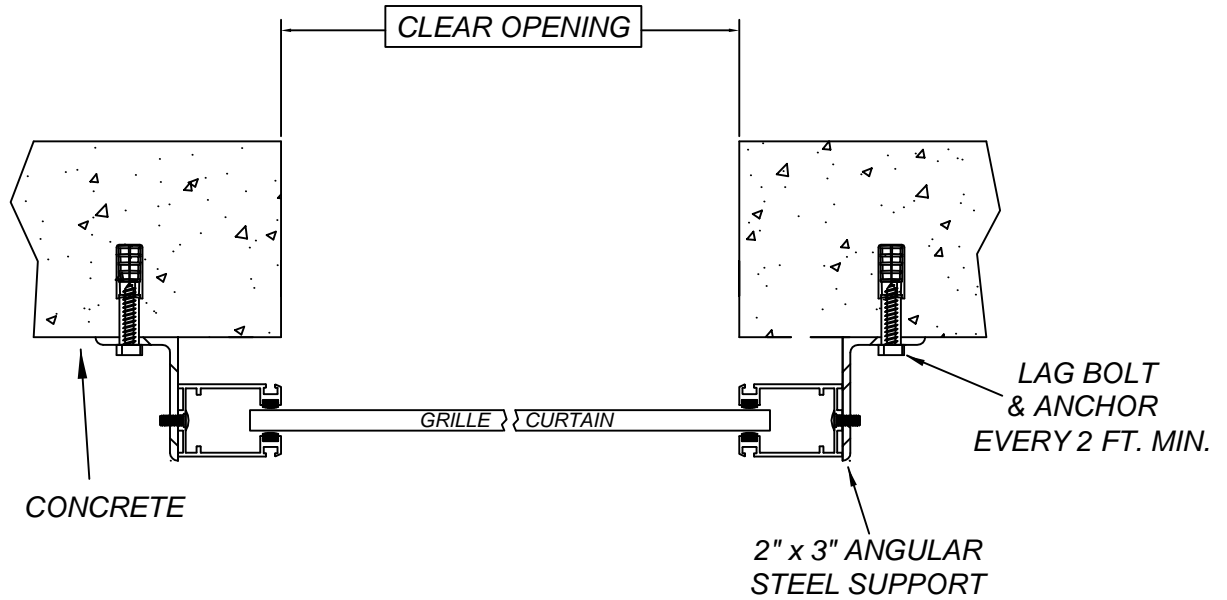


**ROLLING CLOSURE
SUPPORT
FACE-OF-WALL MOUNT (TO CONCRETE)**



**ROLLING CLOSURE SUPPORT
FACE-OF-WALL MOUNT (TO WOOD)**

