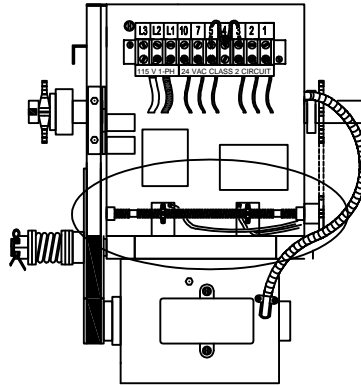


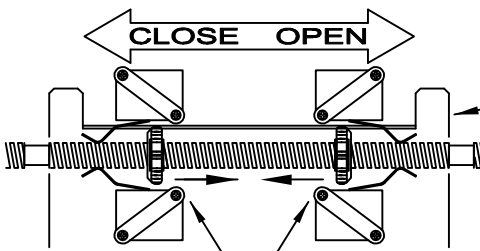
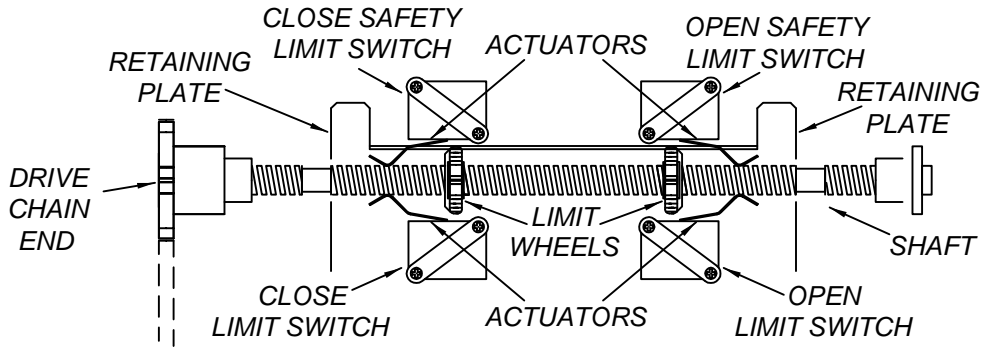
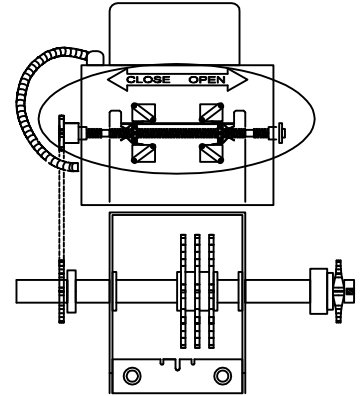


ROLLING CLOSURE LIMIT SWITCH

(FRONT VIEW)

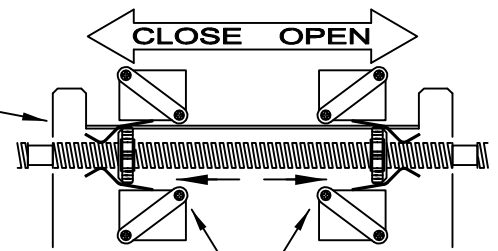


(TOP VIEW)

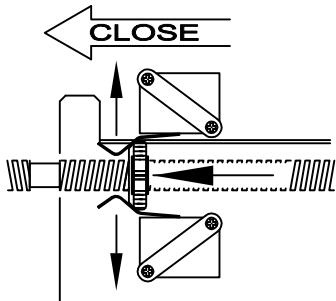


...TO INCREASE DOOR TRAVEL, SPIN WHEELS AWAY FROM ACTUATORS

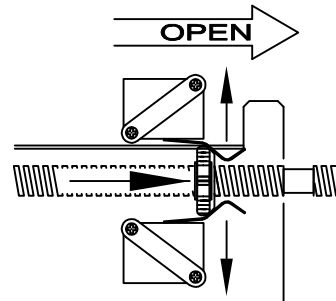
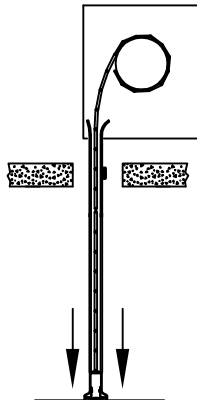
1st!
PUSH DOWN
RETAINING PLATE
TO RELEASE LIMIT
WHEELS. DO NOT
FORCE WHEELS!
THEY WILL BREAK!



...TO DECREASE DOOR TRAVEL, SPIN WHEELS TOWARD THE ACTUATORS



SET CLOSE LIMIT WHEEL SO THAT CLOSURE WILL STOP IN CLOSED POSITION, BOTTOM OF LOCK BAR SEATED TO FLOOR



SET OPEN LIMIT WHEEL SO THAT CLOSURE WILL STOP IN OPEN POSITION, BOTTOM OF LOCK BAR FLUSH WITH CEILING

